



UNITED STATES PATENT AND TRADEMARK OFFICE

UNITED STATES DEPARTMENT OF COMMERCE
United States Patent and Trademark Office
Address: COMMISSIONER FOR PATENTS
P.O. Box 1450
Alexandria, Virginia 22313-1450
www.uspto.gov

| APPLICATION NO. | FILING DATE | FIRST NAMED INVENTOR | ATTORNEY DOCKET NO. | CONFIRMATION NO. |
|-----------------|-------------|----------------------|---------------------|------------------|
| 10/005,757 | 11/02/2001 | Joseph D. Franko SR. | QAL-30 | 9068 |

32863 7590 05/10/2006

WALTER K. ROLOFF
490 HARBOR COURT
SHOREVIEW, MN 55126

EXAMINER

HENDERSON, MARK T

ART UNIT PAPER NUMBER

3722

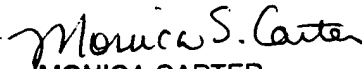
DATE MAILED: 05/10/2006

Please find below and/or attached an Office communication concerning this application or proceeding.

| | | | |
|---|------------------------|---------------------|--|
| Response to Rule 312 Communication | Application No. | Applicant(s) | |
| | 10/005,757 | FRANKO, JOSEPH D. | |
| | Examiner | Art Unit | |
| | Mark T. Henderson | 3722 | |

-- The MAILING DATE of this communication appears on the cover sheet with the correspondence address --

1. The amendment filed on 02 March 2006 under 37 CFR 1.312 has been considered, and has been:
- a) entered.
 - b) entered as directed to matters of form not affecting the scope of the invention.
 - c) disapproved because the amendment was filed after the payment of the issue fee.
 Any amendment filed after the date the issue fee is paid must be accompanied by a petition under 37 CFR 1.313(c)(1) and the required fee to withdraw the application from issue.
 - d) disapproved. See explanation below.
 - e) entered in part. See explanation below.


 MONICA CARTER
 SUPERVISORY PATENT EXAMINER

*Please enter
- 7/1/16*

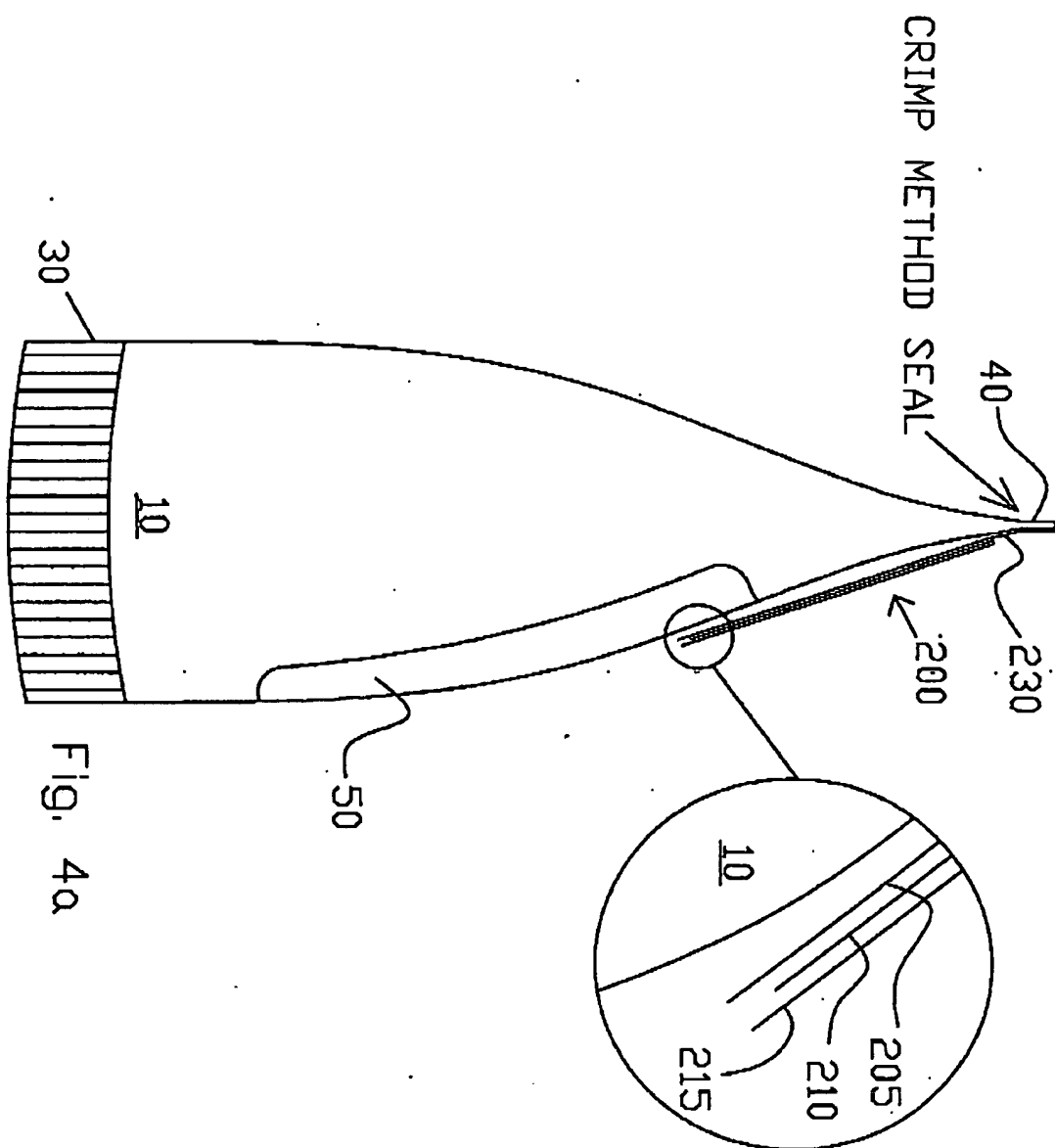


Fig. 4a

*Please enter
- m7/A*

